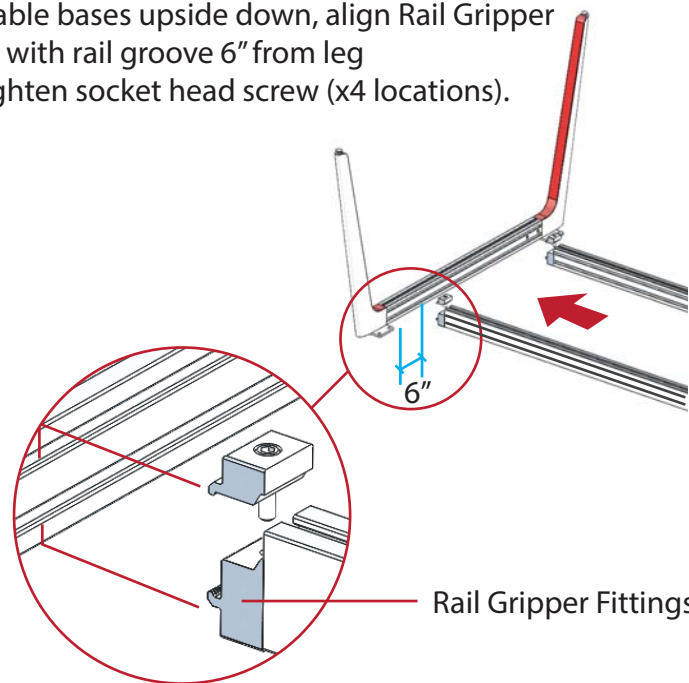




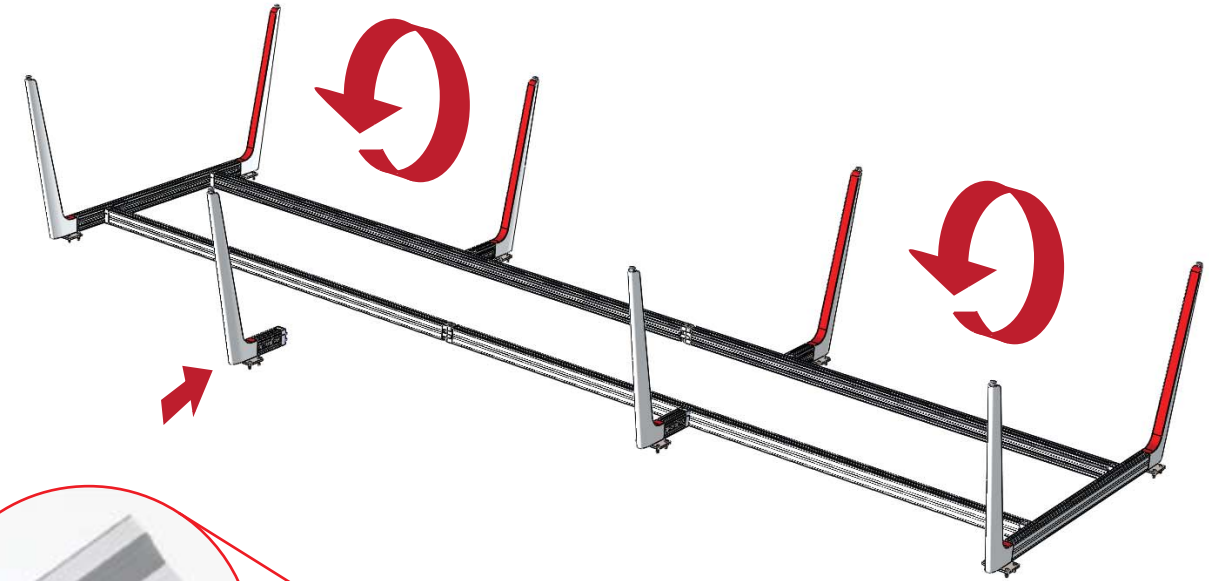
Installation:

1. With table bases upside down, align Rail Gripper Fitting with rail groove 6" from leg and tighten socket head screw (x4 locations).

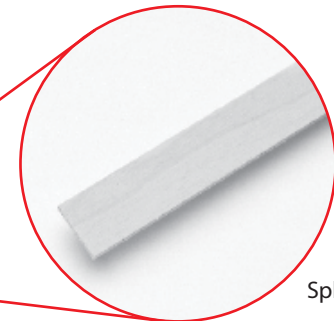


Rail Gripper Fittings

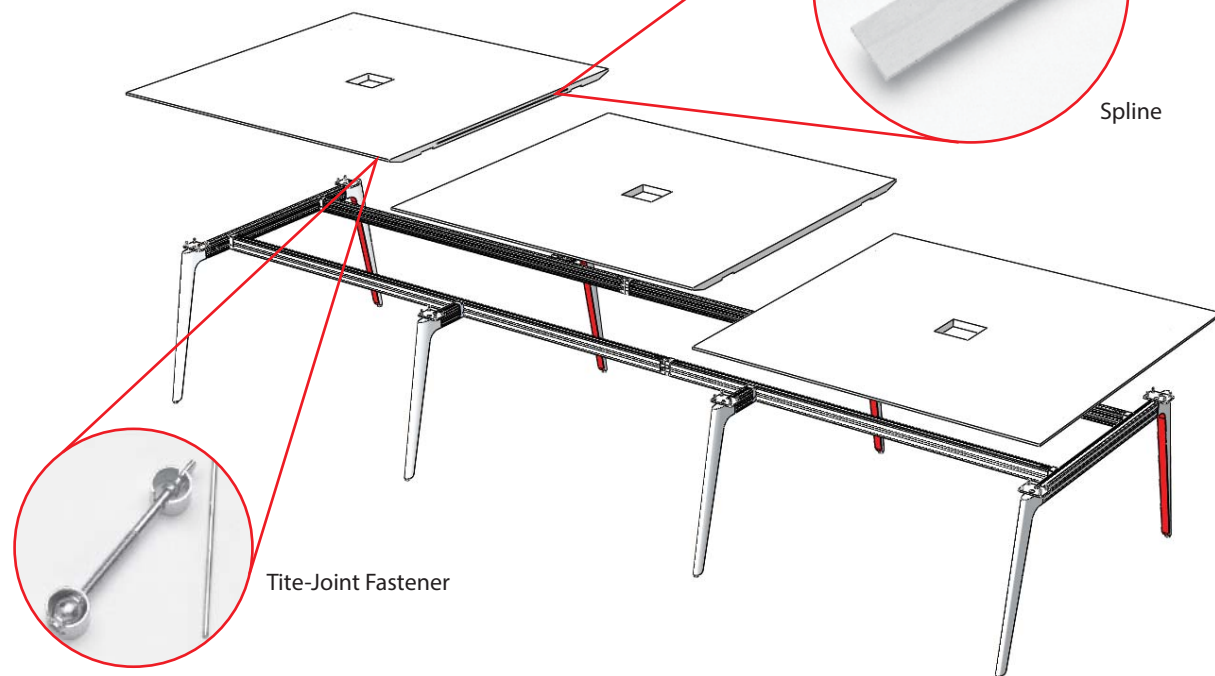
2. If your table has mid legs, align the center line of the short rail with marked location on bottom of rail and secure with Gripper Fitting. Carefully rotate base assembly onto feet.



Rail Bracket

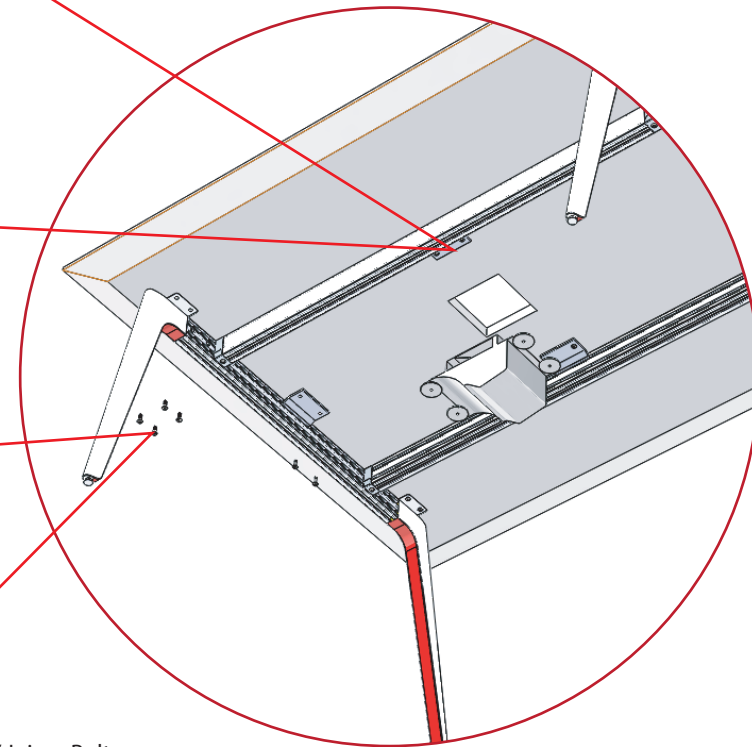


Spline



Tite-Joint Fastener

3. Set tops in place. Secure tops together at seam with spline and tite-joint fasteners



1/4"-20 x 7/8" Joiner Bolt

4. Secure base to top with 1/4"-20 x 7/8" joiner bolts (x4 per leg). Secure rail to top with rail brackets and 1/4"-20 x 7/8" joiner bolts (x2 per bracket).