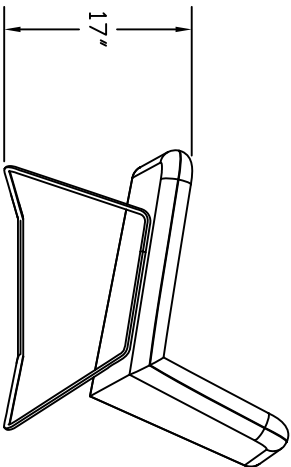
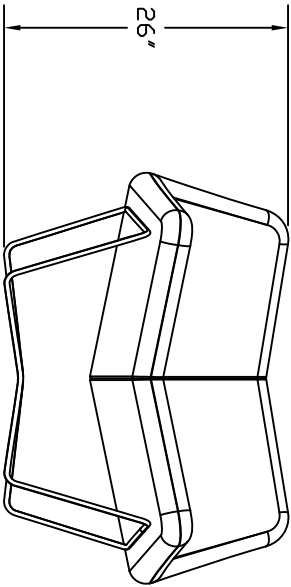
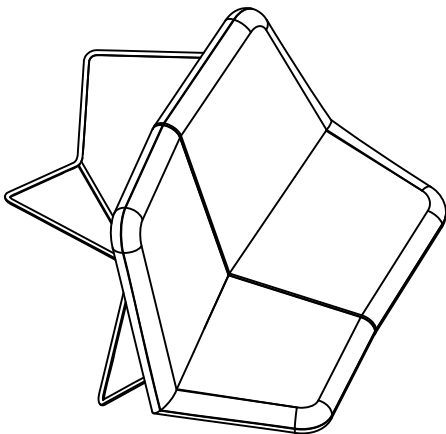
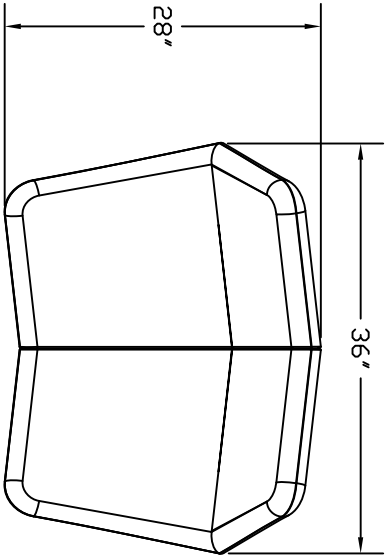


LEAF SEATING



DC / Quote -	Client --	Drawing No: --	Drawn By: --	Date: 01/05/2015
THIS DRAWING IS CONFIDENTIAL AND PROPRIETARY. NO PART OF THIS DRAWING MAY BE COPIED, DISCLOSED TO ANY THIRD PARTY OR USED FOR ANY PURPOSE WITHOUT THE EXPRESS WRITTEN AUTHORIZATION OF NIENKAMPER FURNITURE & ACCESSORIES		mail@nienkamper.com www.nienkamper.com	Tel 1 800 668 9318 Fax 1 416 298 9535	Scale: 3/8"=1'0"