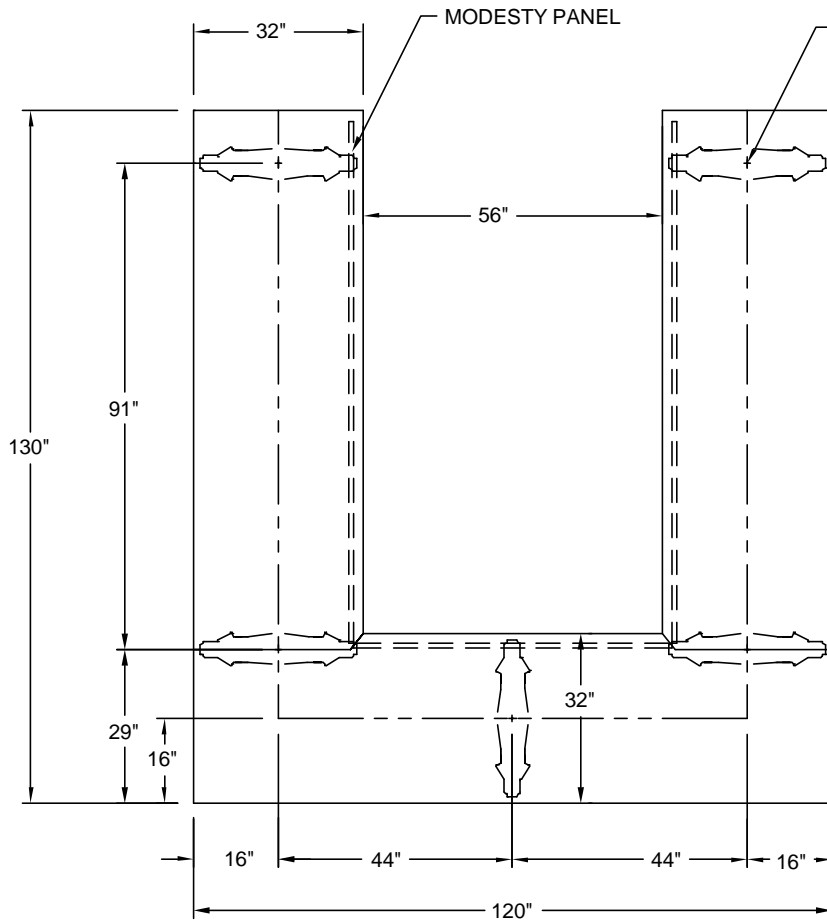


PLAN VIEW



LOCATE CORE DRILL  
 AT CENTRE OF BASES

| LEG STYLE          | MODEL                        |
|--------------------|------------------------------|
| DUO BASE           | - 55241, 54611, 54621, 54631 |
| TAPER - POLISHED   | - 55251, 54641               |
| TAPER - PAINTED    | - 55261, 54651               |
| T LEG - POLISHED   | - 55271, 54661               |
| T LEG - ANNOIDIZED | - 55281, 54671               |
| CASTER BASE        | - 55291, 54681               |
| SIZE               | 120 X 130                    |
| SEATING            | 12                           |

THIS DRAWING IS CONFIDENTIAL AND PROPRIETARY. NO PART OF THIS DRAWING MAY BE COPIED,  
 DISCLOSED OR SENT TO ANY THIRD PARTY OR USED FOR ANY PURPOSE WITHOUT THE EXPRESS WRITTEN  
 AUTHORIZATION OF NIENKAMPER FURNITURE AND ACCESSORIES.