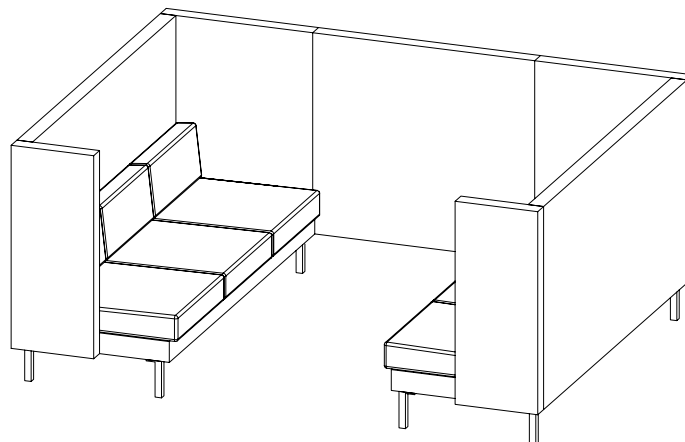


## LOUNGE SEATING

Tuxedo™ Cove & Gateway™ Media Lift/Wall Mounted Table Design – Nienkämper & busk + hertzog

3%  
price increase  
effective Jan 1, 2019

Tuxedo™ Cove is composed of two 3 seat high back sofas with an interconnecting panel and table to form an enclosed booth for meetings, collaborative tasks or to be used as a touchdown base for the day. The high sides and back provide total seclusion from the surrounding environment without the need for interior substructures while additional privacy is maintained via the acoustic benefits of the interconnecting panel and the sofas high walls.



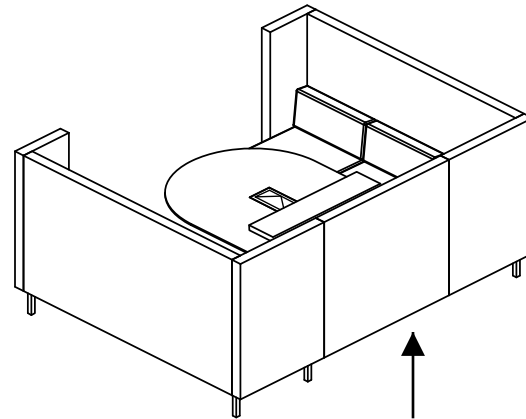
# LOUNGE SEATING

Tuxedo™ Cove & Gateway™ Media Lift Table Design – Nienkämper & busk + hertzog

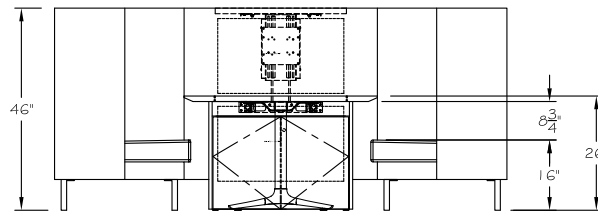
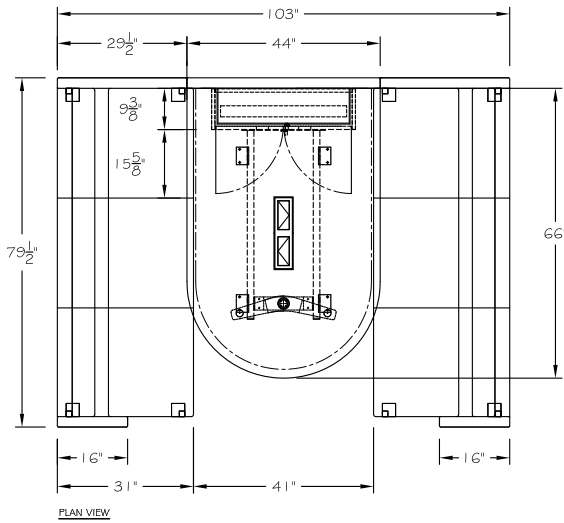


Table options for Tuxedo™ Cove include the Gateway™ tables, with a full range of connectivity. The Gateway™ Media Lift Table with Relaxed Work Height (26 H) provides a free standing solution while the Gateway™ Wall Mounted Table with Relaxed Work Height (26 H) offers another option for television screen and monitor to be mounted on the interconnecting panel.

Gateway™ Media Lift Table effortlessly transforms meeting tables to create innovative multimedia solutions for communication, presentations and interactive work spaces. At the touch of the remote control, the unit raises the monitor screen up from the base cabinet. The ultimate in professional appearance, Gateway™ Media Lift combines sophistication and function to create additional space, protect your TV from damage or to hide it away from sight.



interconnecting panel: 38-3/4 h  
Model # 12451



Model #	Description	Quantity	List Price
12449	Tuxedo™ Cove Three Seat Sofa Left in COM	1	\$8,085
12450	Tuxedo™ Cove Three Seat Sofa Right in COM	1	\$8,085
12451	Interconnecting Panel (38-3/4 H) in COM	1	\$1,875
43031/5	Gateway Media Lift Table – Relaxed Work Height 26 H in Standard P-lam	1	\$9,485
85213	Simple Forum Side by Side Each side with two power & two open ports	1	\$1,060
<b>Total List:</b>			<b>\$28,590</b>

**Note:**

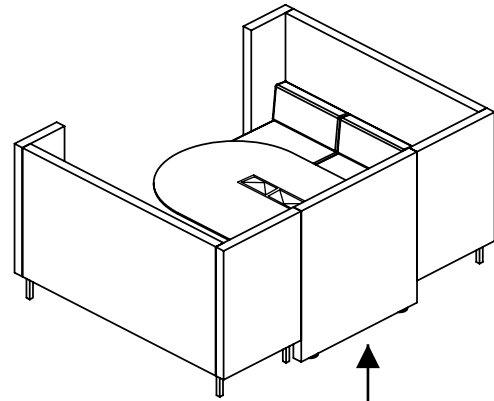
- Gateway™ Media Lift Table Dimension 66 L x 44 D x 26 H.
- For standard veneer finish, model #43031/2, list price is \$10,655.
- TV lift can accommodate a maximum TV size of 32".
- TV lift is included. TV is not included.

# LOUNGE SEATING

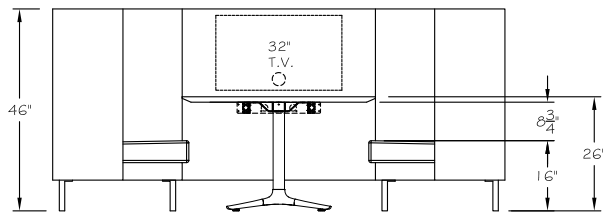
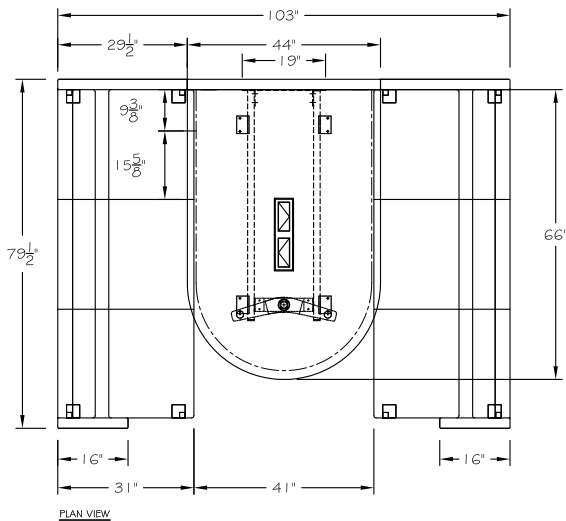
Tuxedo™ Cove & Gateway™ Wall Mounted Table Design – Nienkämper & busk + hertzog



Gateway™ Wall Mounted Table provides a simple solution by mounting a TV or monitor screen directly onto the interconnecting panel. The wall mounted Gateway™ table with single base provides maximum kneespace for users.



interconnecting panel: 46 h  
Model # 12452



Model #	Description	Quantity	List Price
12449	Tuxedo™ Cove Three Seat Sofa Left in COM	1	\$8,085
12450	Tuxedo™ Cove Three Seat Sofa Right in COM	1	\$8,085
12452	Interconnecting Panel (46 H) in COM	1	\$2,275
43041/5	Gateway Wall Mounted Table – Relaxed Work Height 26 H in Standard P-lam	1	\$3,805
85213	Simple Forum Side by Side Each side with two power & two open ports	1	\$1,060
<b>Total List:</b>			<b>\$23,310</b>

**Note:**

- Gateway Wall Mounted Table Dimension 66 L x 44 D x 26 H.
- For standard veneer finish, model # 43041/2, list price is \$4,815.
- Maximum TV size to be mounted on panel is 32".
- TV & TV mount are not included.

# LOUNGE SEATING

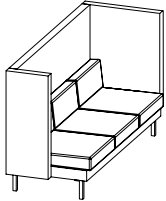
Tuxedo™ Cove Design – Nienkämper

**3%**  
price increase  
effective Jan 1, 2019

— CDN Only

Model Number	Seat H"	Arm H"	W"	D"	H"	Fabric Yds.	Leather Sq. Ft.	COM	COL	Verde	Grano	Cremoso	Unika Vaev Fabrics			
													1	2	3	4

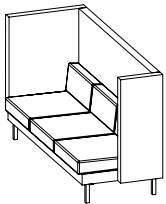
## TUXEDO™ COVE THREE SEAT SOFA LEFT



12449	17	46	79 <sup>1/4</sup>	31	46	12	216											
							COM Frame	8 <sup>1/4</sup>	149									
							COM Seat & Back Cushion	4 <sup>1/2</sup>	81									

8,085	8,490	12,150	13,560	14,035	9,110	9,540	9,820	10,630
-------	-------	--------	--------	--------	-------	-------	-------	--------

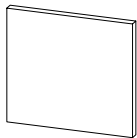
## TUXEDO™ COVE THREE SEAT SOFA RIGHT



12450	17	46	79 <sup>1/4</sup>	31	46	12	216											
							COM Frame	8 <sup>1/4</sup>	149									
							COM Seat & Back Cushion	4 <sup>1/2</sup>	81									

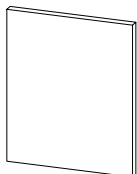
8,085	8,490	12,150	13,560	14,035	9,110	9,540	9,820	10,630
-------	-------	--------	--------	--------	-------	-------	-------	--------

## INTERCONNECTING PANEL



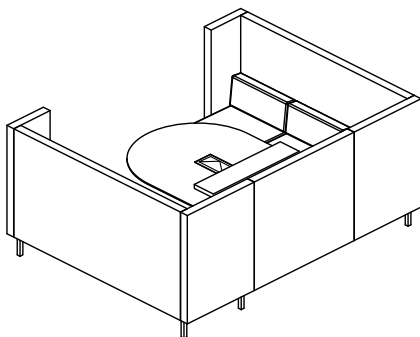
12451			44	3	38 <sup>3/4</sup>	2 <sup>3/4</sup>	50											
-------	--	--	----	---	-------------------	------------------	----	--	--	--	--	--	--	--	--	--	--	--

1,875	1,975	3,085	3,300	3,405	2,180	2,265	2,340	2,550
-------	-------	-------	-------	-------	-------	-------	-------	-------

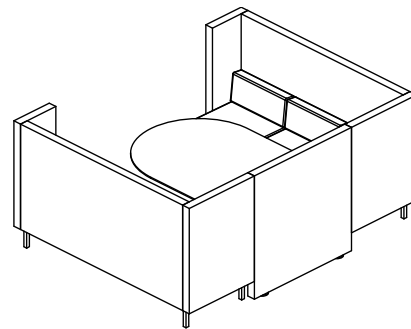


12452			44	3	46	3 <sup>1/2</sup>	63											
-------	--	--	----	---	----	------------------	----	--	--	--	--	--	--	--	--	--	--	--

2,275	2,390	3,800	4,060	4,200	2,665	2,770	2,860	3,130
-------	-------	-------	-------	-------	-------	-------	-------	-------



Tuxedo™ Cove Sofa with interconnecting panel  
Model # 12451



Tuxedo™ Cove Sofa with interconnecting panel  
Model # 12452  
panel with integrated cavity for wire management

# LOUNGE SEATING

Ingmar Chair on Legs design – nienkamper

3% price increase effective Jan 1, 2019

— CDN Only

Model Number	Seat H"	Arm H"	W"	D"	H"	Fabric Yds.	Leather Sq. Ft.	COM	COL	Verde	Grano	Cremoso	Unika Vaev Fabrics			
													1	2	3	4

## INGMAR CHAIR WITH CHANNEL SLING



13901	16 <sup>1/2</sup>	21 <sup>1/2</sup>	25	26	34 <sup>1/2</sup>	1 <sup>1/2</sup>	18	2,705	2,840	3,235	3,325	3,360	2,850	2,910	2,955	3,065
-------	-------------------	-------------------	----	----	-------------------	------------------	----	-------	-------	-------	-------	-------	-------	-------	-------	-------

## INGMAR CHAIR WITH SADDLE LEATHER SLING



13902	16 <sup>1/2</sup>	21 <sup>1/2</sup>	25	26	34 <sup>1/2</sup>	1 <sup>1/2</sup>	18	specify Brown (IVT05) or Black (IVT06)							
									3,055						

## INGMAR CHAIR WITH MESH SLING



13903	16 <sup>1/2</sup>	21 <sup>1/2</sup>	25	26	34 <sup>1/2</sup>	1 <sup>1/2</sup>	18	specify Black (IM01), Racing Green (IM02), or Beige (IM03)							
									2,355						

### Standard Features

- natural cherry, maple or walnut frame
- stained to match available: wood finish available in standard Nienkamper
- stains; to match custom stain add \$570 list per each stain colour
- channel sling available in fabrics and leathers
- saddle leather sling available in Brown (IVT05) or Black (IVT06)
- mesh sling available in Black (IM01), Racing Green (IM02) or Beige (IM03)

**Model # 13901**  
Ingmar with Padded Sling



**Model # 13902**  
Ingmar with Saddle Leather Sling



**Model # 13903**  
Ingmar with Mesh Sling

