

nienkämper



Davos™ Collection

Design: Andre Staffelbach



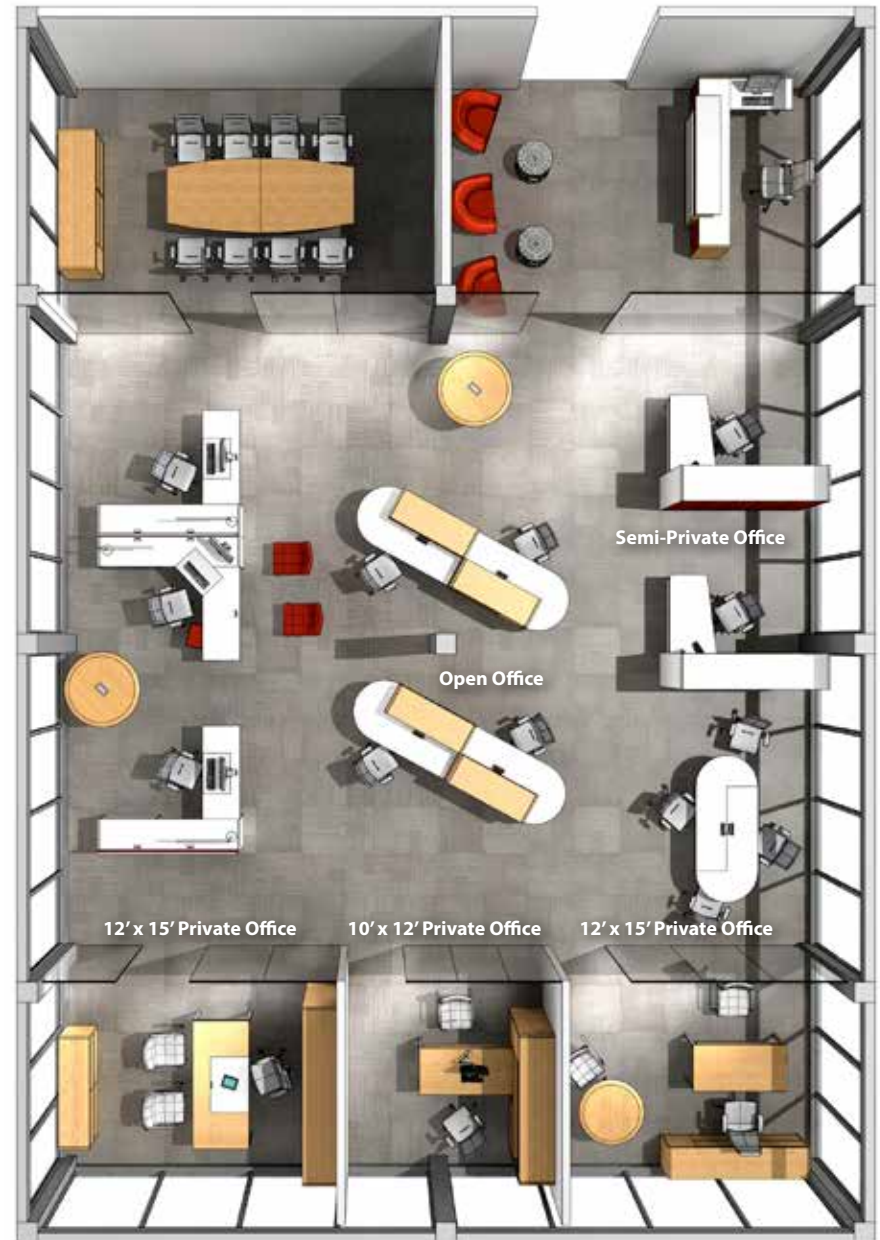
Whether against a wall or as a partition Davos™ cabinets provide a highly customized solution for work place storage.

Individual elements provide flexibility and an infinite array of configurations. Full Veneer, melamine / veneer or plastic laminate combinations are available. Nienkämper's Integrated Finishes Program ensures that all veneer, melamine and plastic laminate match.

Maximum flexibility continues through the entire Davos™ line.

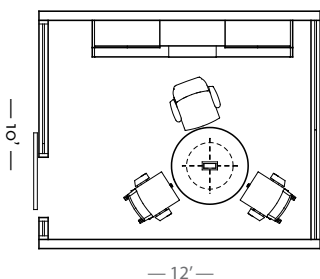
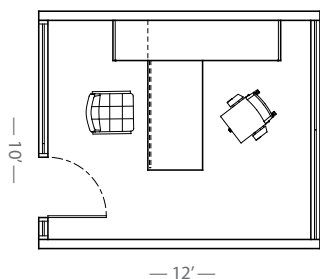
Conference tables that nest, desks that conceal wiring and informal standing height tables round out the collection.

From open work space to private office the Davos™ Collection has the answer.



Davos™ | Private Office Planning

10' x 12'



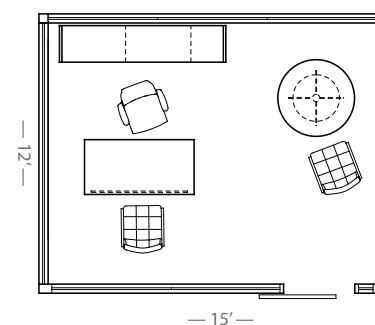
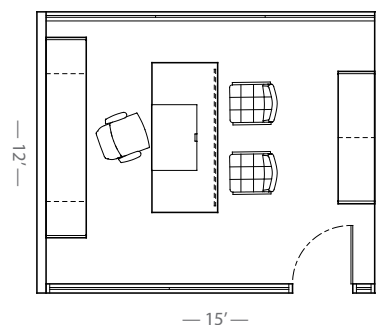
Plan 1 List

- Free Standing Workwall**
92" w x 22" d x 72" h
- Fixed Project Table**
60" w x 30" d x 29" h
- /2 veneer fronts & case 19,105
- /3 veneer fronts /melamine case 16,810
- /5 plastic laminate fronts/
melamine case 15,775
- Nienkämper NOW® chair** 1,525
(Model #13086)
mesh seat & back polished
aluminum base
- Senator® Nuvo chair** 3,130
(Model #14104)
tufted, upholstered Verde
leather

Plan 2 List

- Wall Mounted Over Head**
109.75" w x 15" d x 18" h
- Knee Space Credenza**
109.75" w x 20" d x 29" h
- Round Project Table with**
power/data box
48" dia x 29" h
- /2 veneer fronts & case 17,160
- /3 veneer fronts /melamine case 15,360
- /5 plastic laminate fronts/
melamine case 14,790
- AYA™ chair** 3,245
(Model #13306)
high back upholstered Verde
leather
- Nienkämper NOW® chair** 3,050
(Model #13086) qty=2
mesh seat & back polished
aluminum base

12' x 15'



Plan 3 List

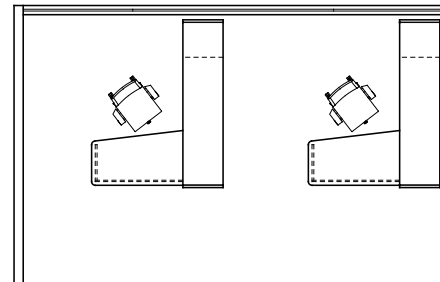
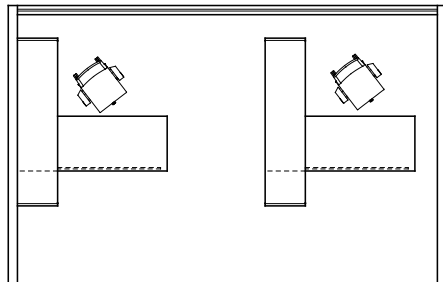
- Free Standing Workwall**
109.75" w x 22" d x 72" h
- Desk**
82" w x 36" d x 29" h
- 4 File Cabinet**
92" w x 20" d x 29" h
- Leather Desk Pad (32" w x 24" d)
- /2 veneer fronts & case 36,940
- /3 veneer fronts /melamine case 32,710
- /5 plastic laminate fronts/
melamine case 31,345
- AYA™ chair** 3,245
(Model #13306)
high back upholstered Verde
leather
- Senator® Nuvo chair** 6,260
(Model #14104) qty=2
tufted, upholstered Verde
leather

Plan 4 List

- Credenza**
92" w x 20" x 29" h
- Desk**
60" w x 30" d x 29" h
- Round Project Table**
42" dia x 29" h
- /2 veneer fronts & case 19,220
- /3 veneer fronts /melamine case 17,900
- /5 plastic laminate fronts/
melamine case 16,755
- AYA™ chair** 3,245
(Model #13306)
high back upholstered Verde
leather
- Senator® Nuvo chair** 6,260
(Model #14104) qty=2
tufted, upholstered Verde
leather



Davos™ | Semi-Private Office Planning



Plan 1 List

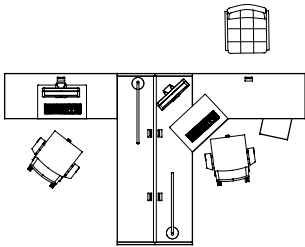
Free Standing Workwall (qty=1) with rear fabric panel upholstered in UV grade 1 fabric 92" w x 22" d x 72" h	20,975
Fixed Project Table (qty=1) 60" w x 30" d x 29" h /2 veneer fronts & case	18,680 17,645
/3 veneer fronts /melamine case /5 plastic laminate fronts/melamine case	
Nienkämper NOW® chair (qty=1) (Model #13086) mesh seat & back polished aluminum back	1,525

Plan 2 List

Free Standing Workwall (qty=1) with rear fabric panel upholstered in UV grade 1 fabric 92" w x 20" d x 72" h	19,445
Fixed Project Table (qty=1) 48" w x 30" / 24" d x 29" h /2 veneer fronts & case	16,885 16,165
/3 veneer fronts /melamine case /5 plastic laminate fronts/melamine case	
Nienkämper NOW® chair (qty=1) (Model #13086) mesh seat & back polished aluminum back	1,525

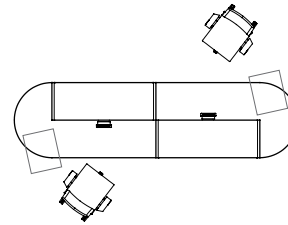
3%
price increase
effective Jan 1, 2019

Davos™ | Open Office Planning



Plan 1 List

Knee Space Credenza (qty=2) 92" w x 20" d x 29" h	
Divider Panel 92" w x 3" d x 12" h	
Fixed Project Table (qty=2) 48" w x 24" d x 29" h	
Leather Desk Pad (qty=2) 28" w x 20" d	
/2 veneer fronts & case	22,325
/3 veneer fronts /melamine case	19,185
/5 plastic laminate fronts/melamine case	18,245
 Mobile, B/B/F Ped w/ Leather Fronts and Top (qty=2) 15" w x 19" d x 25" h	4,710
 Nienkamper Now® Chair (qty=2) (Model #13086) mesh seat & back polished aluminum back	3,050

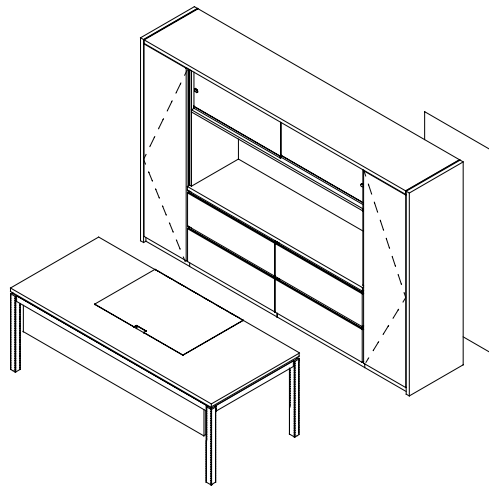
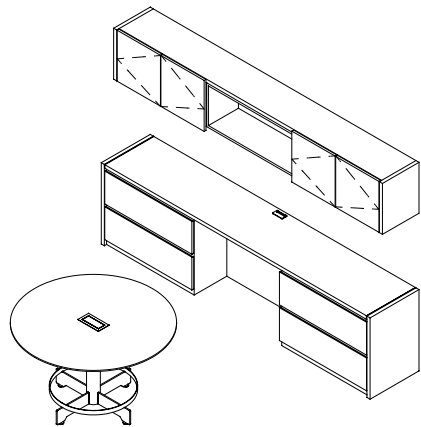


Plan 2 List

Stand-Alone Cabinet (qty=2) with rear fabric panels upholstered in UV grade 1 fabric 55.38" w x 20" d x 41.25" h	
Freestanding Project Tables (qty=2) 74.13" w x 40" d x 29" h	
/2 veneer fronts & case	28,105
/3 veneer fronts /melamine case	24,045
/5 plastic laminate fronts/melamine case	23,210
Finishes as shown with a combination of veneer and plastic laminate finish	25,870
 Mobile, B/B/F Ped w/ Leather Fronts and Top Finishes as shown (qty=2) 15" w x 19" d x 25" h	4,710
 Nienkämper NOW® chair (qty=2) (Model #13086) mesh seat & back polished aluminum base	3,050

3%
price increase
effective Jan 1, 2019

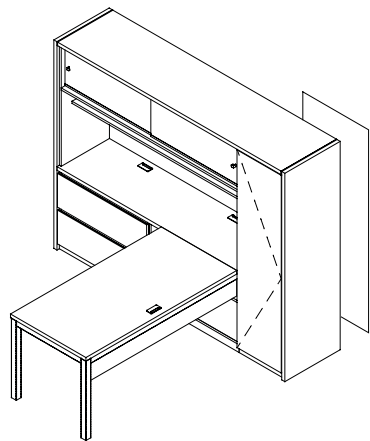
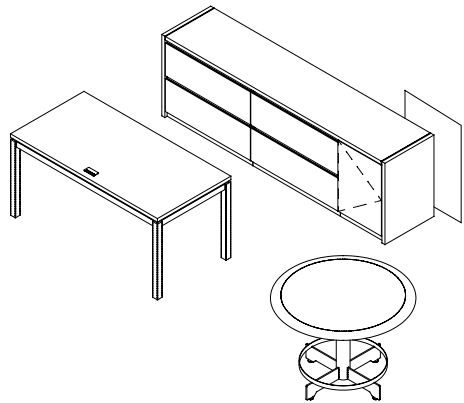
Davos™ | Preconfigured Work Stations



Model Number	Description	Veneer Fronts and Case/ /2	Veneer Fronts/ Melamine Case /3	Plastic Laminate Fronts/ Melamine Case /5
8010	Wall Mounted Overhead 109.75" w x 15"d x 18"h 4 hinged wood doors, 1 open section	List 4,205	List 3,605	List 3,415
8011	Knee Space Credenza 109.75"w x 20"d x 29"h work surface, 2 file peds (x2)	7,735	6,535	6,290
8168	Round Project Table 48"dia x 29"h polished base, taper edge, power/ data unit (model #8174)	5,220	n/a	5,085
8018	Free Standing Work wall 109.75"w x 22"d x 72"h 4 file, *sliding over head doors, 2 closets, 1 tack panel, 4 LED lights	19,460	16,460	15,825
8019	Optional Rear Fabric Panels upholstered in COM requires 7.75 yds of COM	1,585	1,585	1,585
8020	Optional Rear Fabric Panels upholstered in UV grade 1 fabric included in price	2,240	2,240	2,240
	*For leather wrapped sliding doors add	650	650	650
	*For back painted, glass sliding doors add	1,170	1,170	1,170
8161	Desk 82"w x 36"d x 29"h polished steel legs and rails, concealed power / data unit, wire storage, Verde or Grano leather wrapped desk pad Partial Modesty Panel	9,560	n/a	9,075

3%
price increase
effective Jan 1, 2019

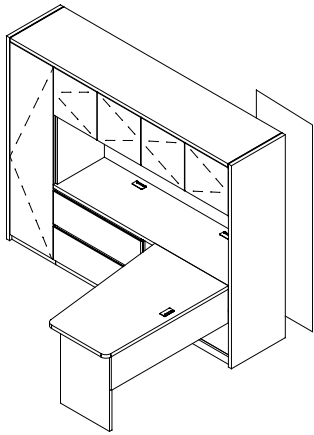
Davos™ | Preconfigured Work Stations



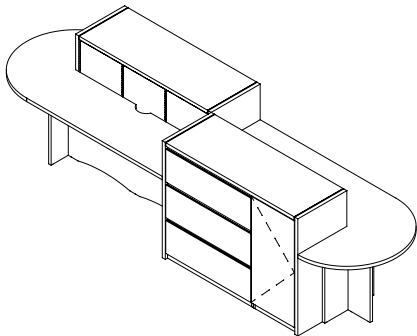
Model Number	Description	Veneer Fronts and Case /2	Veneer Fronts/ Melamine Case /3	Plastic Laminate Fronts/ Melamine Case /5
8012	Credenza 92" w x 20" d x 29" h 4 file, 1 door	List 8,555	List 7,235	List 6,960
8013	Optional Rear Fabric Panels upholstered in COM requires 2.5 yds of COM	780	780	780
8014	Optional Rear Fabric Panels upholstered in UV grade 1 fabric included in price	990	990	990
8162	Desk 60" w x 30" d x 29" h polished legs and support rail	5,815	n/a	5,420
8168	Round Project Table 48" dia x 29" h polished base, flow form edge veneer (taper edge P-Lam)	4,850	n/a	4,375
8021	Free Standing Workwall 92" w x 20" d x 72" h 2 file, 1 open ped, *sliding over head doors, 1 closets, 1 project bin, 1 tack panel, 4 LED lights	14,895	12,600	12,115
8022	Optional Rear Fabric Panels upholstered in COM requires 6.5 yds of COM	1,320	1,320	1,320
8023	Optional Rear Fabric Panels upholstered in UV grade 1 fabric included in price	1,870	1,870	1,870
	**For leather wrapped sliding doors add	650	650	650
	*For back painted, glass sliding doors add	1,170	1,170	1,170
8036	Fixed Project Table 60" w x 30" d x 29" h polished steel legs and rails Partial Modesty Panel	4,210	n/a	3,660



Davos™ | Preconfigured Work Stations



Model Number	Description	Veneer Fronts and Case/ 2	Veneer Fronts/ Melamine Case /3	Plastic Laminate Fronts/ Melamine Case /5
8024	Free Standing Workwall 92" w x 20"d x 72"h w/ 2 file, 1 open ped, 4 hinged wood doors, 1 closet ,1 tack panel, 4 LED lights	List 14,895	List 12,600	List 12,115
8025	Optional Rear Fabric Panels upholstered in COM requires 6.5 yds of COM	1,320	1,320	1,320
8026	Optional Rear Fabric Panels upholstered in UV grade 1 fabric included in price	1,870	1,870	1,870
8037	Fixed Project Table 48"w x 30"/24"d x 29"h Partial Modesty Panel	2,680	2,415	2,180

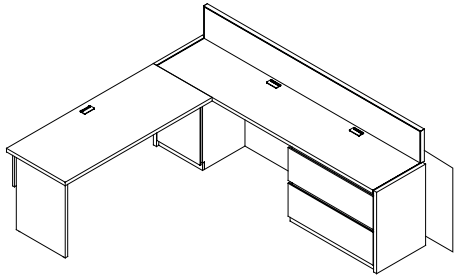


8128	Stand-Alone Cabinet (qty2) 55.38"w x 20"d x 41.25"h w/ 3 file, 1 door, *fabric panels	14,370	12,160	11,710
8129	Optional Rear Fabric Panels upholstered in COM requires 5 yds of COM	1,125	1,125	1,125
8130	Optional Rear Fabric Panels upholstered in UV grade 1 fabric included in price	1,755	1,755	1,755
8170	Free Standing Table (qty2) 74.13"w x 40"d x 29"h	11,975	10,125	9,740

Fabric panels must be added to this configuration

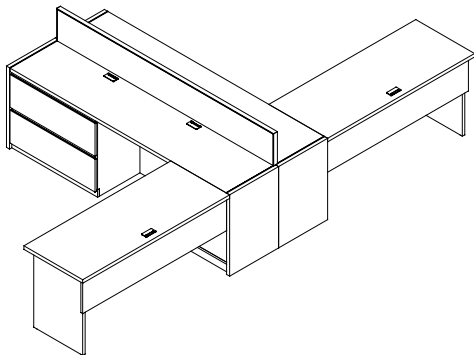


Davos™ | Preconfigured Work Stations



Model Number	Description	Veneer Fronts and Case /2	Veneer Fronts/ Melamine Case /3	Plastic Laminate Fronts/ Melamine Case /5
8015	Knee Space Credenza 92" w x 20" d x 29" h 2 file, 1 open ped Divider Panel 91.88" w x 3" d x 12" h fabric wrapped, tackable surface	List 7,970	List 6,835	List 6,600
8016	Optional Rear Fabric Panels upholstered in COM requires 3.5 yds of COM	905	905	905
8017	Optional Rear Fabric Panels upholstered in UV grade 1 fabric included in price	1,250	1,250	1,250
8038	Fixed Project Table 48" w x 24" d x 29" h Partial Modesty Panel	2,905	2,470	2,240

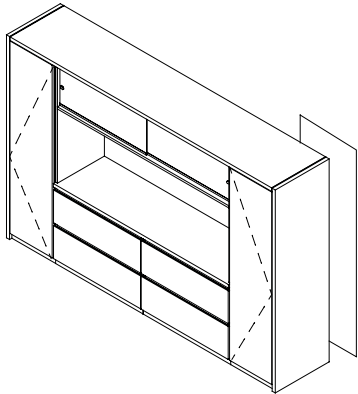
Station available in right and left hand versions



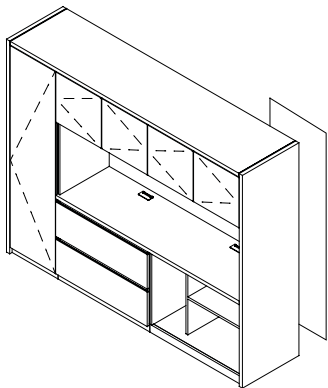
8043	Knee Space Credenza (qty 2) 92" w x 20" d x 29" h 2 file, 1 open ped Divider Panel 92" w x 3" d x 12" h UV grade 1 fabric wrapped, tackable surface	15,315	13,045	12,565
8038	Fixed Project Table (qty 2) 48" w x 24" d x 29" h Partial Modesty Panel	5,810	4,940	4,480



Davos™ | Preconfigured Work Stations



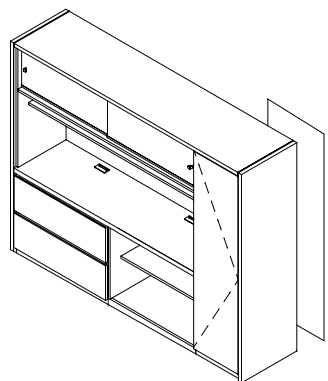
Model Number	Description	Veneer Fronts and Case /2	Veneer Fronts/ Melamine Case /3	Plastic Laminate Fronts/ Melamine Case /5
8027	Free Standing Workwall 109.75" w x 22" d x 72" h w/ 4 file, *sliding over head wood doors, 2 closets, 1 tack panel, 4 LED lights	List 19,460	List 16,460	List 15,825
8028	Optional Rear Fabric Panels upholstered in COM requires 7.5 yds of COM	1,585	1,585	1,585
8029	Optional Rear Fabric Panels upholstered in UV grade 1 fabric included in price	2,240	2,240	2,240
	*For leather wrapped sliding doors add LW to model number	650	650	650
	*For back painted, glass sliding doors add G to model number	1,170	1,170	1,170



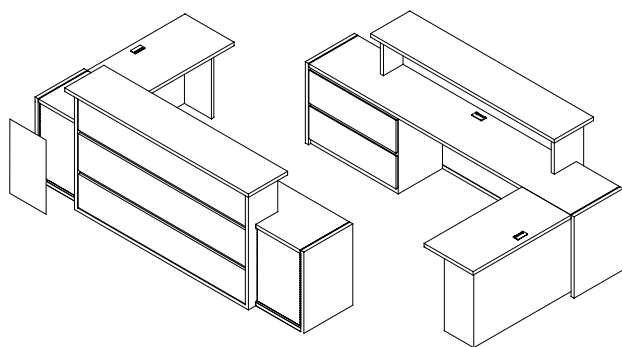
8030	Free Standing Workwall 92" w x 20" d x 72" h 2 file, 1 open ped w/ vertical divider, 4 hinged wood doors, 1 closet, 1 tack panel, 4 LED lights	14,300	12,090	11,620
8031	Optional Rear Fabric Panels upholstered in COM requires 6.5 yds of COM	1,320	1,320	1,320
8032	Optional Rear Fabric Panels upholstered in UV grade 1 fabric included in price	1,870	1,870	1,870



Davos™ | Preconfigured Work Stations



Model Number	Description	Veneer Fronts and Case /2	Veneer Fronts/ Melamine Case /3	Plastic Laminate Fronts/ Melamine Case /5
8033	Free Standing Workwall 92"w x 20"d x 72"h 2 file, 1 open ped, *sliding over head wood doors,1 closets, 1 tack panel, 4 LED lights	List 14,895	List 12,600	List 12,115
8034	Optional Rear Fabric Panels upholstered in COM requires 6.5 yds of COM	1,320	1,320	1,320
8035	Optional Rear Fabric Panels upholstered in UV grade 1 fabric included in price	1,870	1,870	1,870
	*For leather wrapped sliding doors add LW to model number	650	650	650
	*For back painted, glass sliding doors add G to model number	1,170	1,170	1,170



Front Isometric

Rear Isometric

8040	Reception Desk 109.75"w x 20"d x 29"h 2 file, 1 open ped, *fabric panels	15,530	13,130	14,915
8039	Fixed Project Table 40"w x 20"d x 29"h Full Modesty Panel	2,335	1,980	1,795
8041	Front Fabric Panels Optional Rear Fabric Panels upholstered in COM requires 1 yds of COM	315	315	315
8042	Optional Rear Fabric Panels upholstered in UV grade 1 fabric included in price	410	410	410

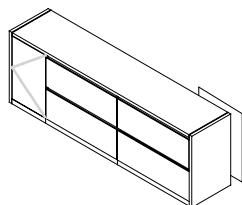
Fabric panels must be ordered with this configuration

Station available in right and left hand versions

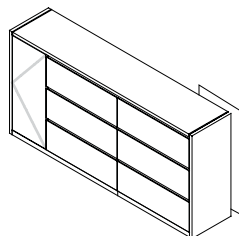
Note: drawing depicts 2 views of one reception desk- pricing reflects single station



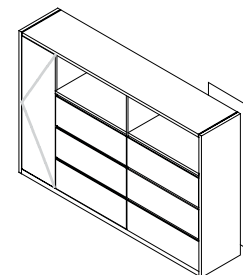
Davos™ | Stand Alone Cabinets



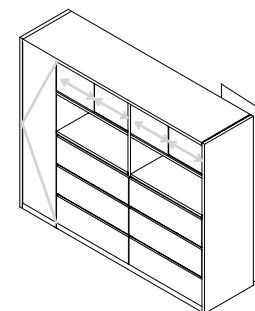
8101



8104



8107



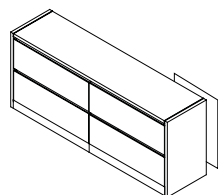
8110

Model Number	Description	Veneer Fronts and Case /2	Veneer Fronts/ Melamine Case /3	Plastic Laminate Fronts/ Melamine Case /5
8101	1 Door, 4 File 92"w x 20"d x 29"h	List 8,555	List 7,235	List 6,960
8102	Optional Rear Fabric Panels upholstered in COM requires 2.5 yds of COM	780	780	780
8103	Optional Rear Fabric Panels upholstered in UV grade 1 fabric included in price	990	990	990
8104	1 Door, 6 File 92"w x 20"d x 41.63"h	9,625	8,135	7,825
8105	Optional Rear Fabric Panels upholstered in COM requires 3.75 yds of COM	930	930	930
8106	Optional Rear Fabric Panels upholstered in UV grade 1 fabric included in price	1,250	1,250	1,250
8107	1 Door, 6 File, 2 open 92"w x 20"d x 54.25"h	13,100	11,080	10,655
8108	Optional Rear Fabric Panels upholstered in COM requires 4.75 yds of COM	1,110	1,110	1,110
8109	Optional Rear Fabric Panels upholstered in UV grade 1 fabric included in price	1,515	1,515	1,515
8110	1 Door, 6 File, 2 open, *Sliding Wood Doors 92"w x 22"d x 72"h	18,880	15,355	14,770
8111	Optional Rear Fabric Panels upholstered in COM requires 6.5 yds of COM	1,320	1,320	1,320
8112	Optional Rear Fabric Panels upholstered in UV grade 1 fabric included in price	1,870	1,870	1,870
	*For leather wrapped, sliding doors add LW to model number	650	650	650
	*For back painted, glass sliding doors add G to model number	1,170	1,170	1,170

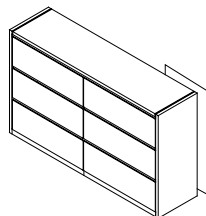
- polished aluminum reveals
- all files lock top right corner
- COM's based on 54" wide with no patterns or repeats
- specify when cabinet is to be used as divider or visible from the back*

780
990
3%
price increase
effective Jan 1, 2019

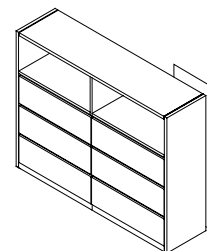
Davos™ | Stand Alone Cabinets



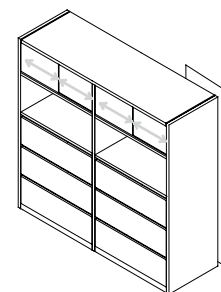
8113



8116



8119



8122

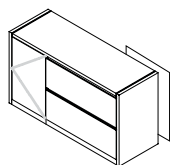


Model Number	Description	Veneer Fronts and Case /2	Veneer Fronts/ Melamine Case /3	Plastic Laminate Fronts/ Melamine Case /5
8113	4 File 92"w x 20"d x 29"h	List 7,920	List 6,690	List 6,445
8114	Optional Rear Fabric Panels upholstered in COM requires 2 yds of COM	625	625	625
8115	Optional Rear Fabric Panels upholstered in UV grade 1 fabric included in price	795	795	795
8116	6 File 92"w x 20"d x 41.63"h	8,700	7,355	7,070
8117	Optional Rear Fabric Panels upholstered in COM requires 2.5 yds of COM	745	745	745
8118	Optional Rear Fabric Panels upholstered in UV grade 1 fabric included in price	960	960	960
8119	6 File, 2 open 92"w x 20"d x 54.25"h	11,875	10,040	9,655
8120	Optional Rear Fabric Panels upholstered in COM requires 3.25 yds of COM	885	885	885
8121	Optional Rear Fabric Panels upholstered in UV grade 1 fabric included in price	1,165	1,165	1,165
8122	6 File, 2 open, *Sliding Wood Doors 92"w x 22"d x 72"h	16,540	13,985	13,440
8123	Optional Rear Fabric Panels upholstered in COM requires 4.25 yds of COM	1,060	1,060	1,060
8124	Optional Rear Fabric Panels upholstered in UV grade 1 fabric included in price	1,425	1,425	1,425
	*For leather wrapped, sliding doors add LW to model number	650	650	650
	*For back painted, glass sliding doors add G to model number	1,170	1,170	1,170

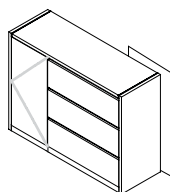
625
795
3%
price increase
effective Jan 1, 2019

- polished aluminum reveals
- all files lock top right corner
- COM's based on 54" wide with no patterns or repeats
- specify when cabinet is to be used as divider or visible from the back*

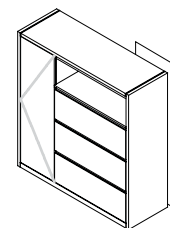
Davos™ | Stand Alone Cabinets



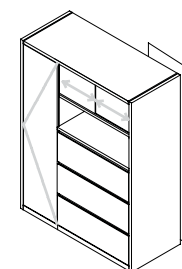
8125



8128



8131



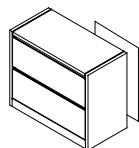
8134

Model Number	Description	Veneer Fronts and Case /2	Veneer Fronts/ Melamine Case /3	Plastic Laminate Fronts/ Melamine Case /5
8125	1 Door, 2 File 55.38"w x 20"d x 29"h	List 5,600	List 4,715	List 4,540
8126	Optional Rear Fabric Panels upholstered in COM requires 2 yds of COM	470	470	470
8127	Optional Rear Fabric Panels upholstered in UV grade 1 fabric included in price	675	675	675
8128	1 Door, 3 File 55.38"w x 20"d x 41.63"h	7,185	6,080	5,855
8129	Optional Rear Fabric Panels upholstered in COM requires 2.5 yds of COM	565	565	565
8130	Optional Rear Fabric Panels upholstered in UV grade 1 fabric included in price	880	880	880
8131	1 Door, 3 File, 1 open 55.38"w x 20"d x 54.25"h	9,565	8,040	7,740
8132	Optional Rear Fabric Panels upholstered in COM requires 3.25 yds of COM	665	665	665
8133	Optional Rear Fabric Panels upholstered in UV grade 1 fabric included in price	1,075	1,075	1,075
8134	1 Door, 3 File, 1 open, *Sliding Wood Doors 55.38"w x 22"d x 72"h	12,860	10,875	10,455
8135	Optional Rear Fabric Panels upholstered in COM requires 4.25 yds of COM	800	800	800
8136	Optional Rear Fabric Panels upholstered in UV grade 1 fabric included in price	1,075	1,075	1,075
	*For leather wrapped, sliding doors add LW model number	330	330	330
	*For back painted, glass sliding doors add G	525	525	525

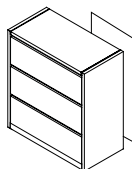
- polished aluminum reveals
- all files lock top right corner
- COM's based on 54" wide with no patterns or repeats
- specify when cabinet is to be used as divider or visible from the back*

3% price increase effective Jan 1, 2019

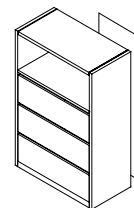
Davos™ | Stand Alone Cabinets



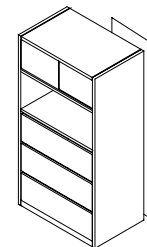
8137



8140



8143



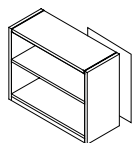
8146

Model Number	Description	Veneer Fronts and Case /2	Veneer Fronts/ Melamine Case /3	Plastic Laminate Fronts/ Melamine Case /5
8137	2 File 36.75"w x 20"d x 29"h	List 4,945	List 4,180	List 4,025
8138	Optional Rear Fabric Panels upholstered in COM requires 1 yds of COM	315	315	315
8139	Optional Rear Fabric Panels upholstered in UV grade 1 fabric included in price	410	410	410
8140	3 File 36.75"w x 20"d x 41.63"h	6,260	5,340	5,085
8141	Optional Rear Fabric Panels upholstered in COM requires 1.5 yds of COM	380	380	380
8142	Optional Rear Fabric Panels upholstered in UV grade 1 fabric included in price	500	500	500
8143	3 File, 1 Open 36.75"w x 20"d x 54.25"h	8,285	7,005	6,740
8144	Optional Rear Fabric Panels upholstered in COM requires 1.75 yds of COM	450	450	450
8145	Optional Rear Fabric Panels upholstered in UV grade 1 fabric included in price	605	605	605
8146	2 File, 1 Open, *Sliding Wood Doors 36.75"w x 22"d x 72"h	11,230	9,505	9,140
8147	Optional Rear Fabric Panels upholstered in COM requires 2.25 yds of COM	535	535	535
8148	Optional Rear Fabric Panels upholstered in UV grade 1 fabric included in price	730	730	730
	*For leather wrapped, sliding doors add LW model number	330	330	330
	*For back painted, glass sliding doors add G	525	525	525

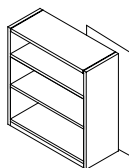
3% price increase effective Jan 1, 2019

- polished aluminum reveals
- all files lock top right corner
- COM's based on 54" wide with no patterns or repeats
- specify when cabinet is to be used as divider or visible from the back*

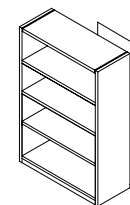
Davos™ | Stand Alone Cabinets



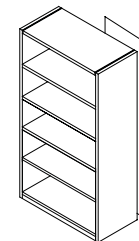
8149



8152



8155



8158



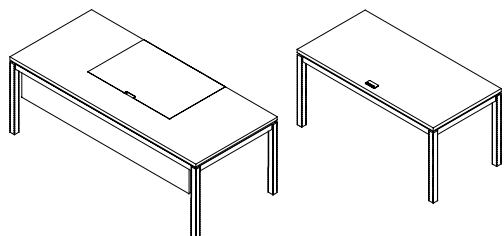
- polished aluminum reveals
- COM's based on 54" wide with no patterns or repeats
- specify when cabinet is to be used as divider or visible from the back*

Model Number	Description	Veneer Fronts and Case /2	Veneer Fronts/ Melamine Case /3	Plastic Laminate Fronts/ Melamine Case /5
8149	1 Adjustable Shelf 55.38"w x 14"d x 29"h	List 2,515	List 2,125	List 2,045
8150	Optional Rear Fabric Panels upholstered in COM requires 1 yds of COM	315	315	315
8151	Optional Rear Fabric Panels upholstered in UV grade 1 fabric included in price	410	410	410
8152	2 Adjustable Shelves 55.38"w x 14"d x 41.63"h	3,660	3,090	2,975
8153	Optional Rear Fabric Panels upholstered in COM requires 1.5 yds of COM	380	380	380
8154	Optional Rear Fabric Panels upholstered in UV grade 1 fabric included in price	500	500	500
8155	3 Adjustable Shelves 55.38"w x 14"d x 54.25"h	4,800	4,055	3,905
8156	Optional Rear Fabric Panels upholstered in COM requires 1.75 yds of COM	450	450	450
8157	Optional Rear Fabric Panels upholstered in UV grade 1 fabric included in price	605	605	605
8158	4 Adjustable Shelves 55.38"w x 22"d x 72"h	6,290	5,315	5,115
8159	Optional Rear Fabric Panels upholstered in COM requires 2.25 yds of COM	535	535	535
8160	Optional Rear Fabric Panels upholstered in UV grade 1 fabric included in price	730	730	730

315
410
3%
price increase
effective Jan 1, 2019
2,975

Davos™ | Accessories

Desks

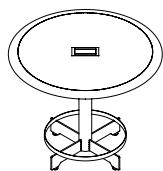


8161
8045

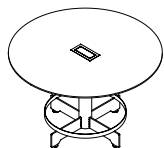
8162

Model Number	Description	Veneer Polished leg /2-PL	Veneer Painted Leg /2-PA	Plastic Laminate Polished Leg /5-PL	Plastic Laminate Painted Leg /5-PA
8161	Desk 82" w x 36" d x 29" h	List	List	List	List
8045	72" w x 30" d x 29" h steel legs and support rail, concealed power / data unit, wire storage, Verde or Grano grade leather wrapped desk pad	8,790	8,185	8,360	7,760
		8,395	7,815	7,985	7,410
8177	Optional Partial Modesty	775	775	720	720
8162	Desk 60" w x 30" d x 29" h steel legs and support rail, grommet	5,815	5,255	5,420	4,855

Touch-Down / Project Tables



8163
8164
8165



8166
8167
8168

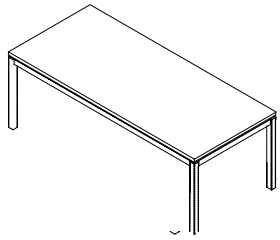
		Veneer Polished	Plastic Laminate Polished
	Touch-Down Table		
8163	36" dia x 38" h	4,440	4,190
8164	42" dia x 38" h	4,590	4,350
8165	48" dia x 38" h	4,770	4,530
	Self edge (SE), Taper (TE), Facet (FE)		
	Flowform (FF) (not available for P-Lam)	add 5%	
	Round Project Table		
8166	36" dia x 29" h	4,285	4,040
8167	42" dia x 29" h	4,440	4,190
8168	48" dia x 29" h	4,620	4,375
	Self edge (SE), Taper (TE), Facet (FE)		
	Flowform (FF) (not available for P-Lam)	add 5%	

• optional power unit, see page 19 for pricing



Davos™ | Accessories

Small Conference Tables

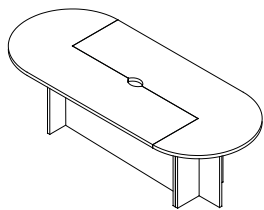


8169

Model Number	Description	Veneer Polished leg /2-PL	Veneer Painted Leg /2-PA	Plastic Laminate Polished Leg /5-PL	Plastic Laminate Painted Leg /5-PA
8169	Rectangular Conference Table 82" x 36" x 29"h Steel legs and support rail	List 6,095	List 5,500	List 5,675	List 5,060



Model Number	Description	Veneer Top and Base/2	Veneer Top/ Melamine Base/3	Plastic Laminate Top/ Melamine Base/5
8170	Nesting Conference Table 149.5" x 40d" x 29"h		11,975	10,125 9,740

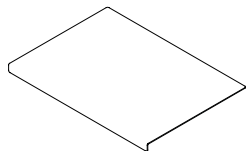


8170



Davos™ | Accessories

Leather Desk Pad



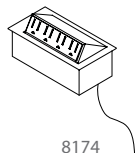
8171
8172

Rectangular Grommet

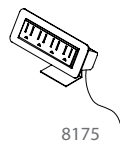


8173

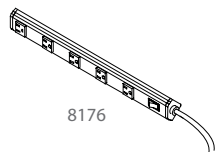
Power



8174



8175



8176

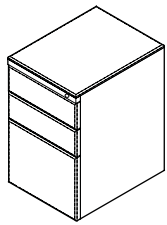
Model Number	Description	Verde/Grano/Cremoso			
		Polished (PG)	Grey (GG)	White (WG)	Black (BG)
8171	Leather Desk Pad 28" w x 20" d				List
8172	36" w x 24" d				600 645
8173	Rectangular Grommet 4" w x 2" d	List 110	List 45	List 45	List 45
8174	Retractable Power / Data Unit 8" w x 4" d Prewired with 72" cord (RCC) Hardwired (RCH)				
		2 power/ 2 data AMP CAT5E 2PD	2 power/ 2 usb Port 2PU	2 power/ 1 extron bracket 2PE	4 power 4P
		List	List	List	List
		600	765	710	785
		660	805	770	865
8175	Surface Mount Power / Data Unit 8" w x 3" d x 4" h Prewired with 72" cord Hardwired (RCH)				
		495	580	600	700
		565	640	660	765
8176	5 Receptical Power Bar with 25' cord (power only)				
		620			

• available with Vox® Forums. See Vox® Planning Guide or Vox® Forum Configurator for pricing.

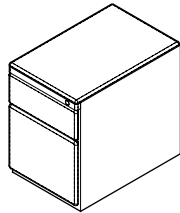


Davos™ | Accessories

Box/Mobile Pedestal



25902



25901

Model Number	Description	Verde/Grano/Cremoso
25902	Pencil / Box / File Mobile Pedestal 15"w x 19"d x 25 1/8"h Painted metal case, leather wrapped top and drawer fronts, lock and casters	List 2,355
25901	Box / File Mobile Pedestal 15"w x 23"d x 22"h Painted metal case, leather wrapped top and drawer fronts, lock and casters	2,310

- metal case available in white, silver or black
- 1/2" thick leather wrapped top and fronts available in Verde, Grano or Cremoso leathers



3%
price increase
effective Jan 1, 2019