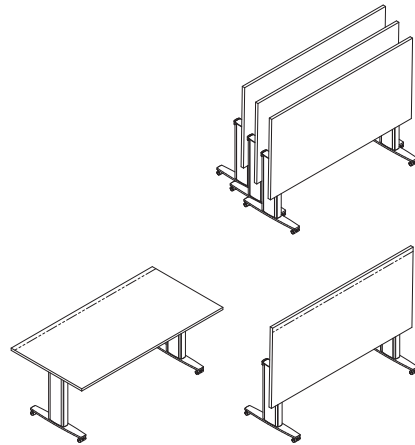


Dimensions:

1" thick top; 29" high overall;
Sizes from 24" x 60" to 36" x 84"

Top Finishes: Nienkämper standard veneers and finishes. Solid wood edges over-veneered gives the appearance of a seamless top. Also available in a wood grain plastic laminate top with translucent edging.

Base: Anodized aluminum in 5 colors.



ICF group www.nienkamper.com 800 668 9318

Boston
617 439 0800

Chicago
312 222 0161

Toronto
416 298 5700



nienkämper



Vox® FlipTop™ solves the problem of moveable and storable meeting/conference room tables. This unique design delivers complete versatility for reconfiguring meeting, hospitality or any other corporate function in a boardroom setting.